

## PSG481

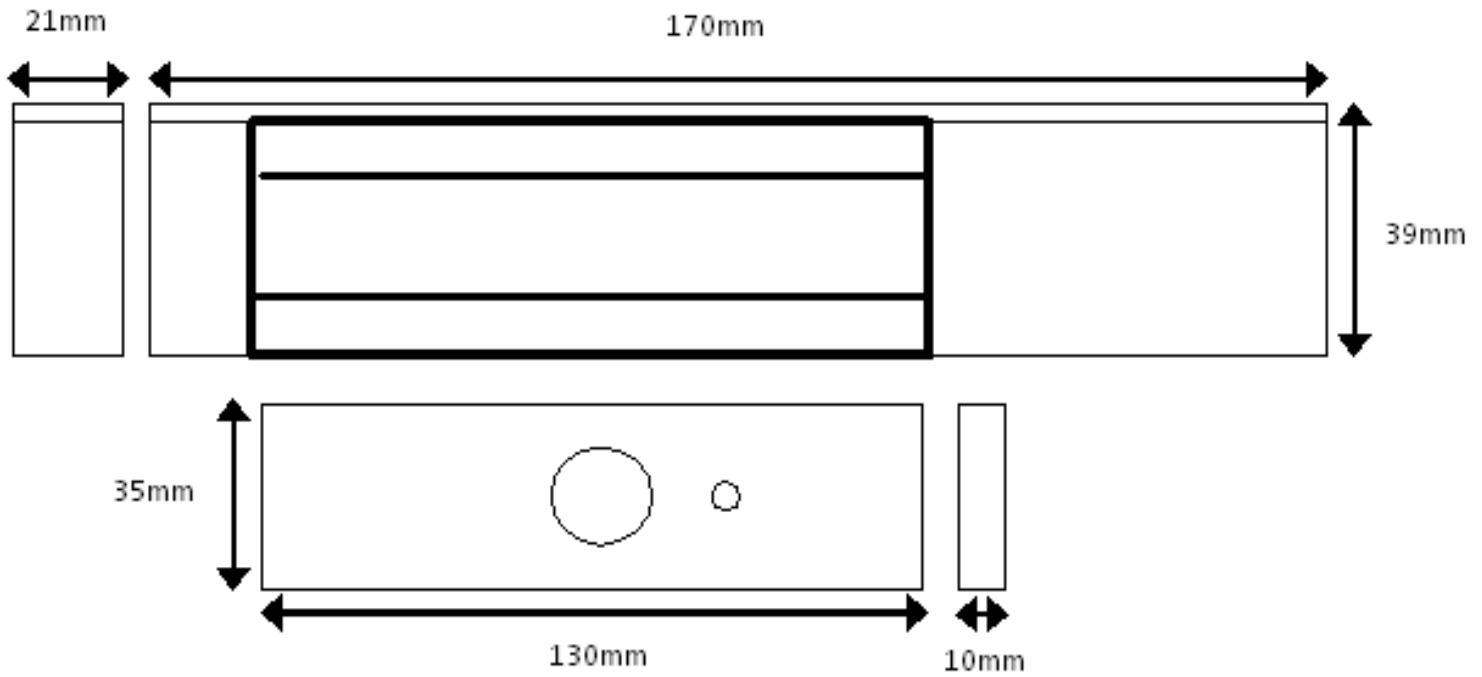
Micro Maglock - 300lbs Holding Force



Slimline Micro Magnet

300lbs (180Kg) Holding Force

A Magnetic Lock suitable for Wooden Door Types, single version with a holding force up to 300lbs (185Kg).



- 300lbs (180Kg) Holding Force
- Built In Surge Protection
- Single LED Indication
- Aluminium Housing
- No Residual Magnetism

Dimensions:

Size - 170L x 39W x 21D all mm

Weight = 946g

ARMATURE:-

Size - 130L x 35W x 10D all mm