

PSG482

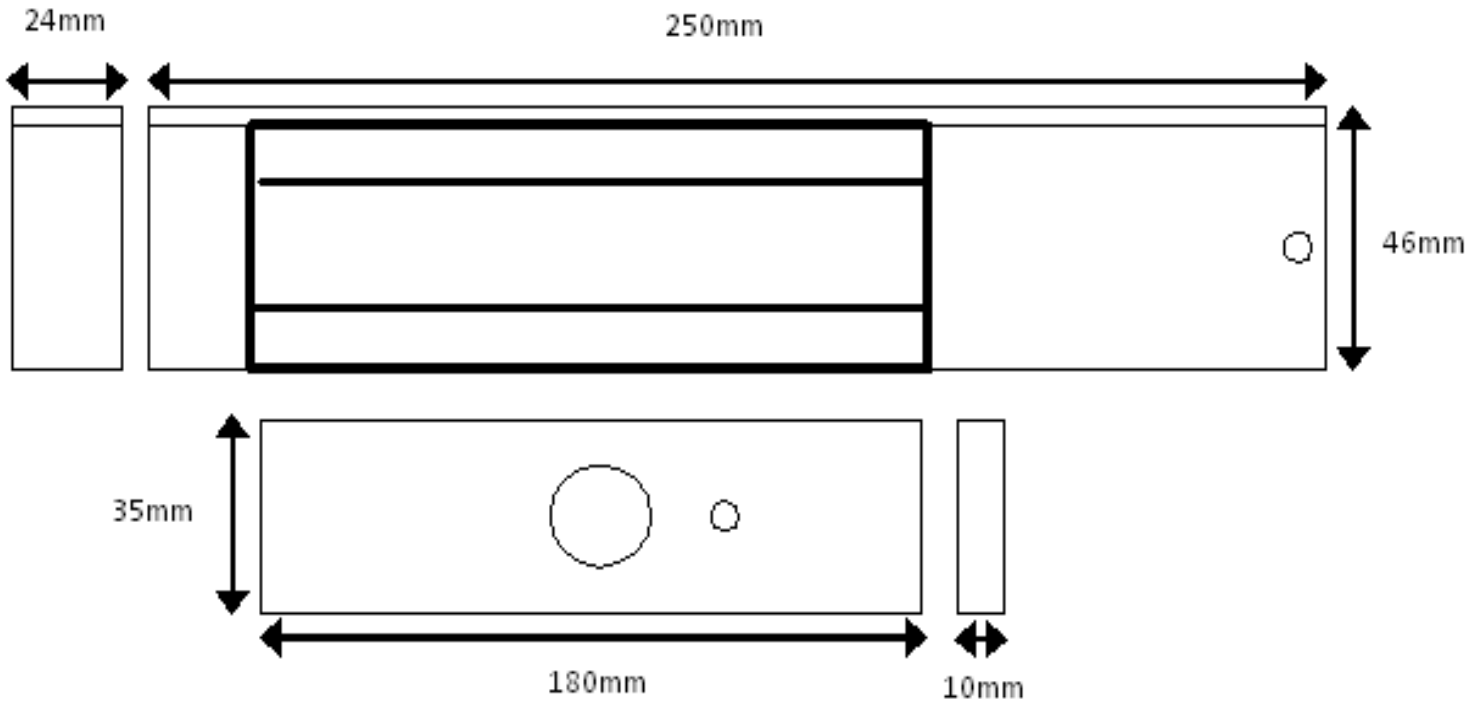
Mini Maglock - 600lbs Holding Force



Slimline Mini Magnet

600lbs (280Kg) Holding Force

A Magnetic Lock suitable for Wooden Door Types, single version with a holding force up to 600lbs (280Kg).



- 600lbs (280Kg) Holding Force
- Built In Surge Protection
- Single LED Indication
- Aluminium Housing
- No Residual Magnetism

Dimensions:

Size - 250L x 42W x 25D all mm

Weight = 1.85 Kg

ARMATURE:-

Size - 180L x 35W x 10D all mm