

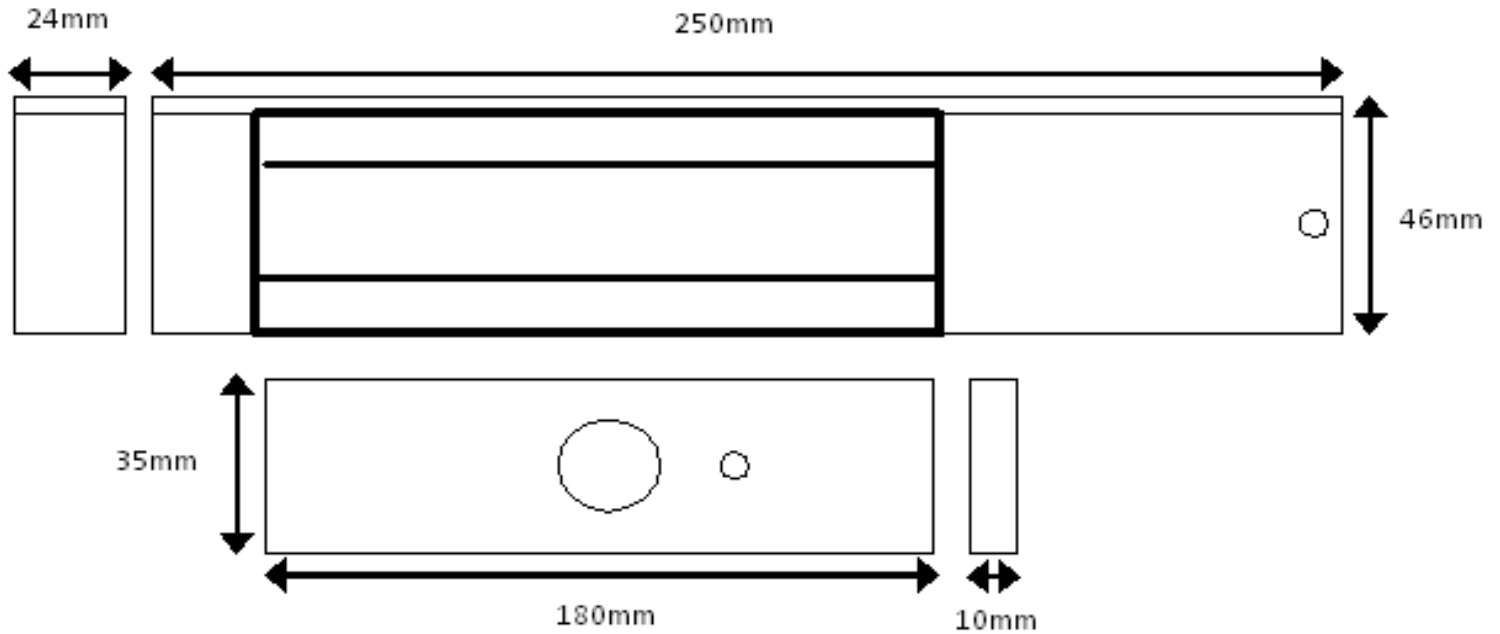
PSG483

Monitored Mini Maglock - 600lbs Holding Force



Slimline Monitored Mini Magnet
600lbs (280Kg) Holding Force

A Monitored Magnetic Lock suitable for Wooden Door Types, single version with a holding force up to 600lbs (280Kg).



- 600lbs (280Kg) Holding Force
- Built In Surge Protection
- Multi LED Indication
- Aluminium Housing
- No Residual Magnetism
- Includes Monitoring Contact rated at 2Amp at 24VDC

Dimensions:

Size - 250L x 46W x 24D all mm

Weight = 1.85 Kg

ARMATURE:-

Size - 180L x 35W x 10D all mm