

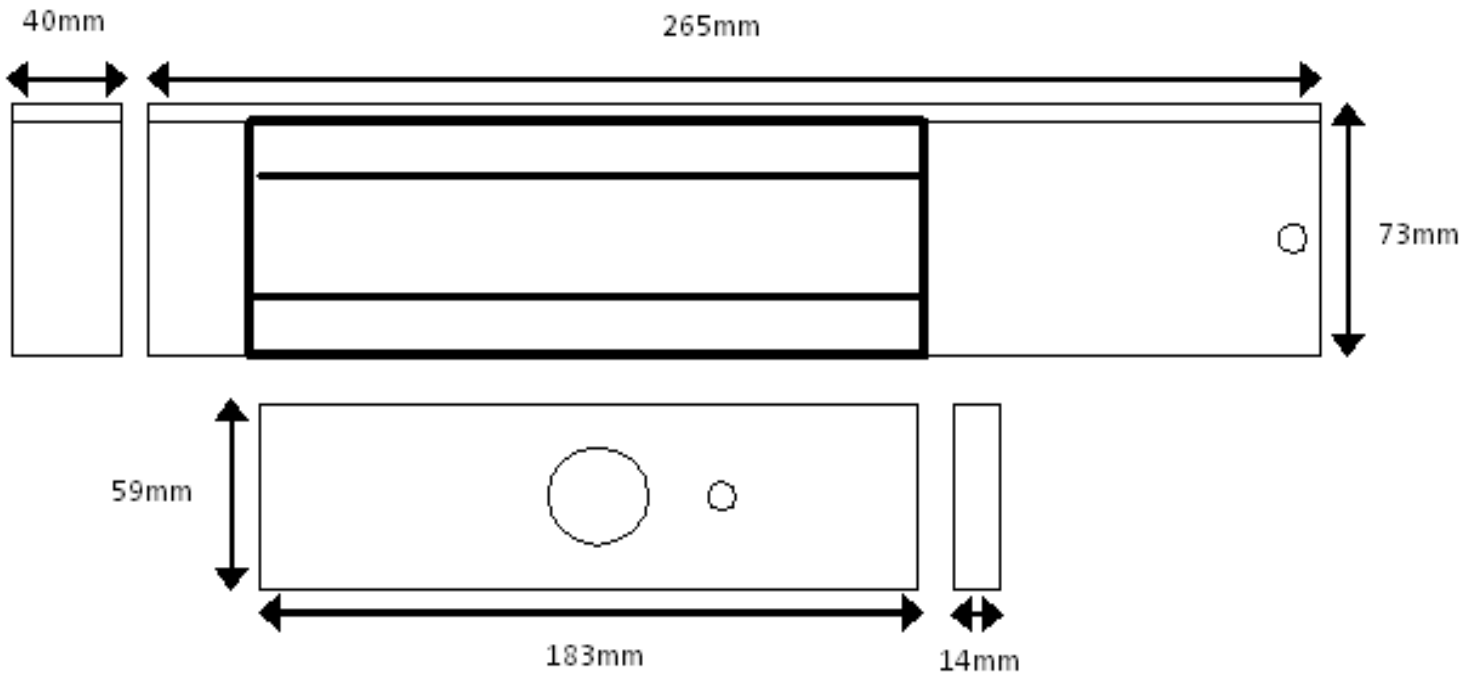
PSG486

Standard Maglock - 1200lbs Holding Force



Slimline Standard Magnet
1200lbs (545Kg) Holding Force

A Magnetic Lock suitable for Wooden Door Types, single version with a holding force up to 1200lbs (545Kg).



- 1200lbs (545Kg) Holding Force
- Built In Surge Protection
- Single LED Indication
- Aluminium Housing
- No Residual Magnetism

Dimensions:

Size - 265L x 73W x 40D all mm

Weight = 4.5 Kg

ARMATURE:-

Size - 183L x 59W x 14D all mm