

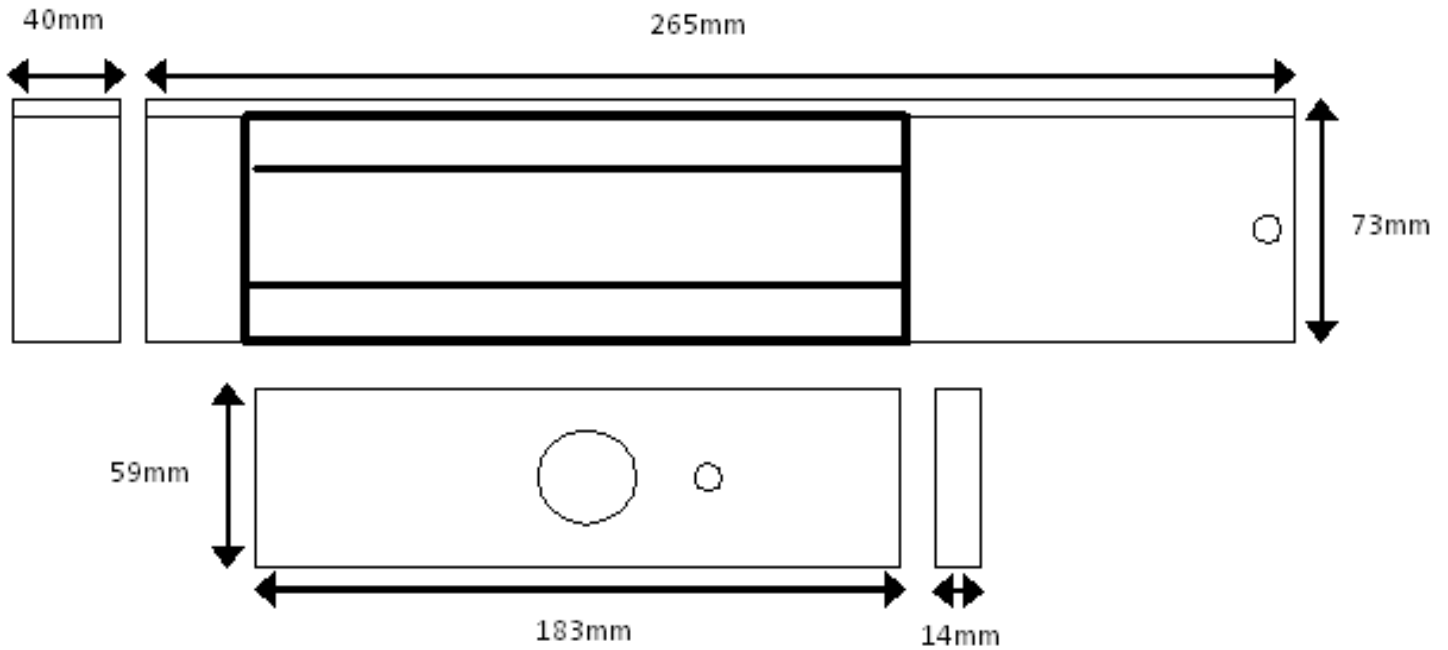
PSG487

Standard Monitored Maglock - 1200lbs Holding Force



Slimline Standard Monitored Magnet
1200lbs (545Kg) Holding Force

A Monitored Magnetic Lock suitable for Wooden Door Types, single version with a holding force up to 1200lbs (545Kg).



- 1200lbs (545Kg) Holding Force
- Built In Surge Protection
- Multi LED Indication
- Aluminium Housing
- No Residual Magnetism
- Includes Monitoring Contact rated at 2Amp at 24VDC

Dimensions:

Size - 265L x 73W x 40D all mm

Weight = 4.5 Kg

ARMATURE:-

Size - 183L x 59W x 14D all mm